

## ZERO OHM RESISTOR / JUMPER WIRE

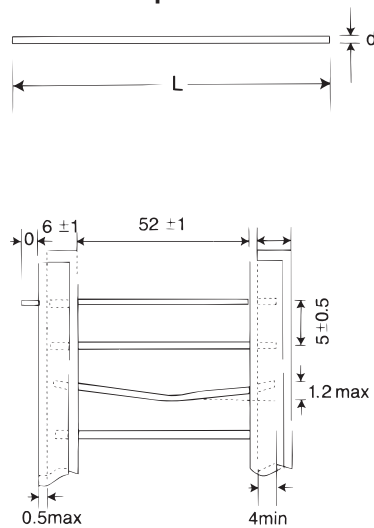
### INTRODUCTION:

The WCF12/WCF25/WMF12/WMF25 zero ohm resistors are manufactured to give extremely low resistance values. A single black band indicates that the resistor is Zero ohm.

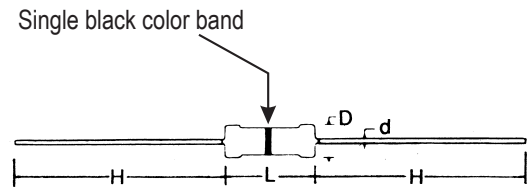
The WJ jumper wires are manufactured using high grade tin plated electrolytic copper wire. This is provided in taped form having 5 mm pitch.

SPECIFICATIONS					
Item	Type	Dimensions in mm			
		H	L	D	d
Zero Ohm Resistor Carbon	WCF 12	$27 \pm 1$	$3.3 \pm 0.2$	$1.7 \pm 0.1$	$0.5 \pm 0.05$
	WCF 25	$27 \pm 1$	$6.0 \pm 0.4$	$2.2 \pm 0.1$	$0.6 \pm 0.05$
Zero Ohm Resistor Metal	WMF 12	$27 \pm 1$	$3.3 \pm 0.2$	$1.7 \pm 0.1$	$0.5 \pm 0.05$
	WMF 25	$27 \pm 1$	$6.0 \pm 0.4$	$2.2 \pm 0.1$	$0.6 \pm 0.05$
Jumper wire	WJ	$60 \pm 1$	NA	NA	$0.6 \pm 0.05$

Jumper Wire



Zero Ohm Resistor



### CHARACTERISTICS

Max. Resistor Value	0.01Ω
Lead Material	Tin Plated Copper
Current Rating	25 Amps at 25°C